

**DETAILS:**

Product ID: PIR037 (CHG-HGTW)

Description: Beveled Wall Mount Hinge

HMI

4795 Shepherdsville Road

Louisville, KY 40218

Tel: 502-969-4059

Fax: 800-313-4195

hmiglass.com

**SPECIFICATIONS:**

Glass Thickness: 3/8" (10mm) to 1/2" (12mm)

Material: Solid forged brass

Swing: 90° in and 90° out

Closing Type: Self centering and closing from 15°

Includes: Stainless steel installation hardware, gaskets and Allen wrench

**MAXIMUM CAPACITIES:**

<b>3/8"</b> (10mm)	Hinges	Max. Door Weight	Max. Door Width
<b>GLASS</b>	2	80 lbs. / 36 kg.	28" / 711mm
	3	120 lbs. / 55 kg.	32" / 813mm

<b>1/2"</b> (12mm)	Hinges	Max. Door Weight	Max. Door Width
<b>GLASS</b>	2	80 lbs. / 36 kg.	28" / 711mm
	3	120 lbs. / 55 kg.	32" / 813mm

*Do not exceed either max door weight or max door width.*

**Glass Weights:**

3/8" (10mm) glass is 5.05 lbs./sf or 2.30 kg/sf

1/2" (12mm) glass is 6.40 lbs./sf or 2.91 kg/sf

**GASKETS:**

3/8" Glass: Use one **thick** gasket on each side

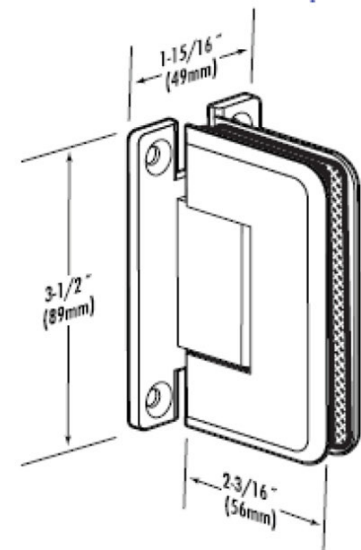
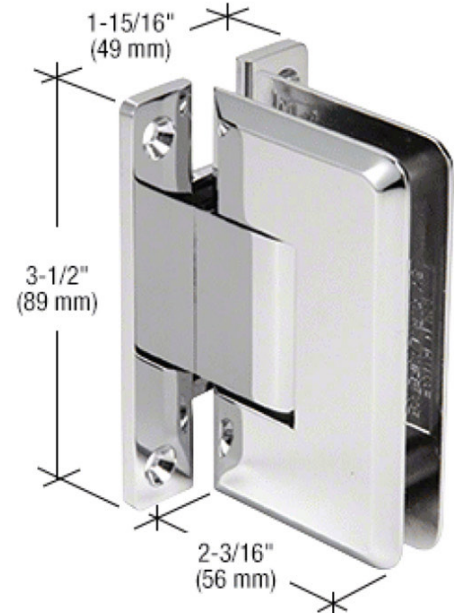
1/2" Glass: Use on **thin** gasket on each side

**AVAILABLE FINISHES\*:**

- CH - Chrome
- DA - Dark Anodized Oil Rubbed Bronze
- GO - Gold (brass)
- MB - Matte Black
- CB - Champagne Bronze
- NI - Brushed Nickel
- PH - Polished Nickel
- RO - Roman Bronze

**NOTES:**

- Do not use power tools when installing hinge on glass.
- For use only with tempered 3/8" to 1/2" glass
- Do not use spray lubricant on hinges.
- Never use abrasive cleaners on the finish as they may damage the finish.



DRAWINGS NOT TO SCALE